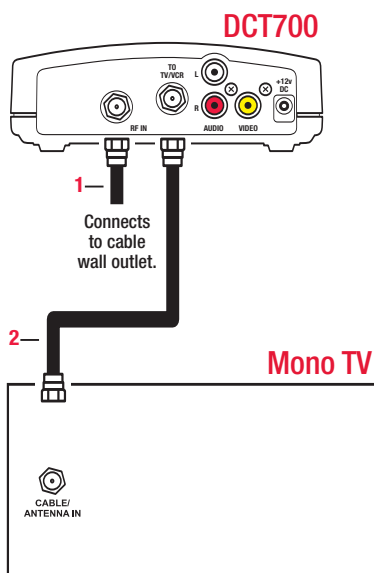


>> CONNECTING YOUR DIGITAL RECEIVER TO A MONO TV



RF (75 ohm)
coax cable

1. Connect an RF coax cable between the cable wall outlet and the RF IN port on the digital receiver.
2. Connect an RF coax cable between the CABLE/ANTENNA IN port on the TV and the TO TV/VCR port on the digital receiver.

Audio/Video Source: For this configuration, be sure that your TV is tuned to channel 3 or 4.